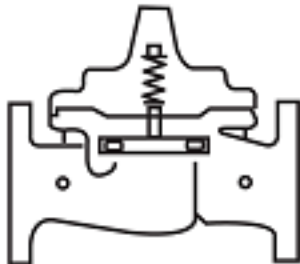

CLA-VAL

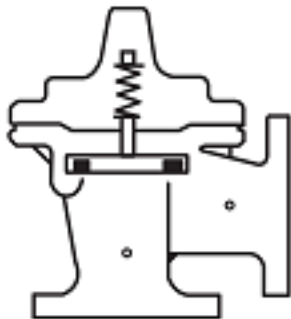
AUTOMATIC CONTROL VALVES

350-02/3650-02

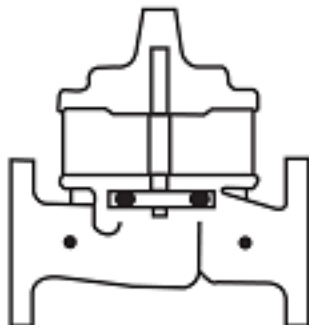
Place this manual with personnel responsible
for maintenance of this valve



Installation



Operation



Maintenance





NEWPORT BEACH, CALIFORNIA

CATALOG NO.
350-02/3650-02

DRAWING NO.
200698

REV
B

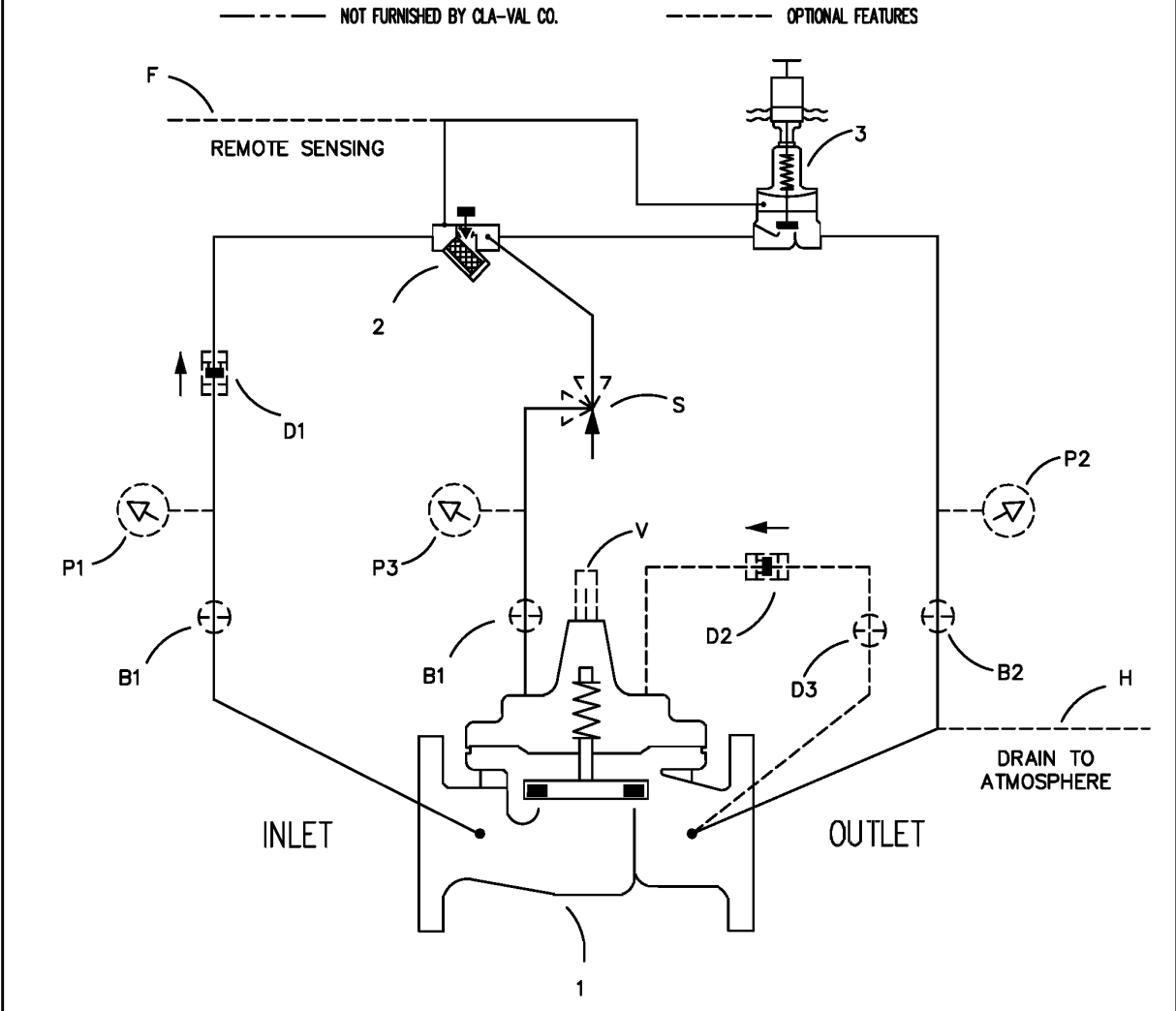
TYPE OF VALVE AND MAIN FEATURES

ELECTRONIC INTERFACE PRESSURE SUSTAINING AND BACK PRESSURE VALVE (INTEGRAL CONTROLLER TYPE)

DESIGN		
DRAWN	AK	03-05-02
CHK'D	VL	3-06-02
APVD	CH	3-11-02

01-28-10
 AK
 B ADDED OPTIONAL FEATURES P & V (ECO 21821)


CAD REVISION RECORD - DO NOT REVISE MANUALLY	DESCRIPTION	BY	DATE
	RELEASED FOR PRODUCTION (NED 46859)	AK	3-05-02
	ITEM 3 WAS CRL31 ELECTRONIC PRESSURE RELIEF (ECO 20335)	AK	1-09-06
LTR	I	A	



ITEM NO.	BASIC COMPONENTS	QTY
1	100-01 HYTROL (350-02) MAIN VALVE	1
	100-20 HYTROL (3650-02) MAIN VALVE	
2	X42N-2 STRAINER & NEEDLE VALVE	1
3	CRL33 ELECTRONIC PRESSURE RELIEF CONTROL	1

OPTIONAL FEATURE SUFFIX		ADDED TO CATALOG NUMBER	
B	CK2 COCK (ISOLATION VALVES)	3	V X101 VALVE POSITION INDICATOR
D	CHECK VALVES WITH COCK	1	
F	REMOTE PILOT SENSING		
H	DRAIN TO ATMOSPHERE		
P	X141 PRESSURE GAUGE	3	
S	CV FLOW CONTROL (OPENING)	1	

THIS DRAWING IS THE PROPERTY OF CLA-VAL CO. AND SAME AND COPIES MADE THEREOF, IF ANY, SHALL BE RETURNED TO IT UPON DEMAND. DELIVERY AND DISCLOSURE HEREOF ARE SOLELY UPON CONDITION THAT THE SAME SHALL NOT BE USED, COPIED OR REPRODUCED, NOR SHALL THE SUBJECT HEREOF BE DISCLOSED IN ANY MANNER TO ANYONE FOR ANY PURPOSE, EXCEPT AS HEREIN AUTHORIZED, WITHOUT PRIOR WRITTEN APPROVAL OF CLA-VAL CO. THIS DRAWING IS SUBMITTED CONFIDENTIALLY AND MAY NOT BE USED IN THE MANUFACTURE OF ANY MATERIAL OR PRODUCT OTHER THAN SUCH MATERIALS AND PRODUCTS FURNISHED TO CLA-VAL CO. WHETHER OR NOT THE EQUIPMENT OR INFORMATION SHOWN HEREON IS PATENTED OR OTHERWISE PROTECTED, FULL TITLE AND COPYRIGHTS, IF ANY, IN AND TO THIS DRAWING AND/OR INFORMATION DELIVERED OR SUBMITTED ARE FULLY RESERVED CLA-VAL CO.

 CLA-VAL CO. NEWPORT BEACH, CALIFORNIA	CATALOG NO. 350-02/3650-02	DRAWING NO. 200698	REV A
	TYPE OF VALVE AND MAIN FEATURES ELECTRONIC INTERFACE PRESSURE SUSTAINING AND BACK PRESSURE VALVE (INTEGRAL CONTROLLER TYPE)		DESIGN DRAWN AK 03-05-02 CHK'D VL 3-06-02 APVD CH 3-11-02

OPERATING DATA

I. PRESSURE SUSTAINING FEATURE:

PRESSURE RELIEF CONTROL (3) IS A NORMALLY CLOSED CONTROL THAT RESPONDS TO MAIN VALVE INLET PRESSURE CHANGES. AN INCREASE IN INLET PRESSURE TENDS TO OPEN CONTROL (3) AND A DECREASE IN INLET PRESSURE TENDS TO CLOSE CONTROL (3). THIS CAUSES MAIN VALVE COVER PRESSURE TO VARY AND THE MAIN VALVE MODULATES (OPENS AND CLOSES) MAINTAINING A RELATIVELY CONSTANT PRESSURE AT THE MAIN VALVE INLET. WHEN INLET PRESSURE IS LOWER THAN THE SET POINT OF CONTROL (3), CONTROL (3) CLOSES. THIS PRESSURIZES THE MAIN VALVE COVER CHAMBER AND THE MAIN VALVE CLOSES. PRESSURE RELIEF CONTROL (3) IS EQUIPPED WITH A TWO-WAY MOTOR ACTUATOR FOR REMOTE ADJUSTMENT.

NOTE: REFER TO CLA-VAL PRINTED FORM N-CRL-33 FOR ADDITIONAL INFORMATION REGARDING INSTALLATION, OPERATION AND MAINTENANCE OF THE MOTORIZED PRESSURE RELIEF CONTROL.

II. CLOSING SPEED CONTROL:

NEEDLE VALVE (2) CONTROLS THE CLOSING SPEED OF THE MAIN VALVE. TURN THE ADJUSTING STEM CLOCKWISE TO MAKE THE MAIN VALVE CLOSE SLOWER. DO NOT CLOSE VALVE (2) COMPLETELY OR THE MAIN VALVE WILL NOT CLOSE. (SUGGESTED INITIAL SETTING OF NEEDLE VALVE IS 1/4 TO 1/2 TURN OPEN.)

III. OPTIONAL FEATURE OPERATING DATA:

SUFFIX B (ISOLATION VALVES)

CK2 COCKS (B1) AND (B2) ARE USED TO ISOLATE THE PILOT SYSTEM FROM MAIN LINE PRESSURE. THESE VALVES MUST BE OPEN DURING NORMAL OPERATION.

SUFFIX D (CHECK VALVES WITH COCK):

WHEN OUTLET PRESSURE IS HIGHER THAN INLET PRESSURE, CHECK VALVE (D2) OPENS AND (D1) CLOSES. THIS DIRECTS THE HIGHER OUTLET PRESSURE INTO THE MAIN VALVE COVER AND THE MAIN VALVE CLOSES.

SUFFIX F (REMOTE PILOT SENSING)

REMOTE SENSING PRESSURE IS OBTAINED FROM A POINT UPSTREAM OF THE MAIN VALVE INLET. [SENSING PRESSURE IS OBTAINED FROM THE MAIN VALVE INLET IF SUFFIX (F) IS NOT SPECIFIED].

SUFFIX H (ATMOSPHERIC DRAIN)

PILOT SYSTEM DRAIN LINE IS DISCHARGED TO ATMOSPHERE. [PILOT SYSTEM DRAIN LINE IS CONNECTED TO THE MAIN VALVE OUTLET BOSS IF SUFFIX (H) IS NOT SPECIFIED.]

CAD REVISION RECORD - DO NOT REVISE MANUALLY


DATE

BY

DESCRIPTION

SEE SHEET 1

L/R

 CLA-VAL CO. NEWPORT BEACH, CALIFORNIA	CATALOG NO. 350-02/3650-02	DRAWING NO. 200698	REV A
	TYPE OF VALVE AND MAIN FEATURES ELECTRONIC INTERFACE PRESSURE SUSTAINING AND BACK PRESSURE VALVE (INTEGRAL CONTROLLER TYPE)		DESIGN DRAWN AK 03-05-02 CHK'D VL 3-06-02 APVD CH 3-11-02

OPERATING DATA

SUFFIX P (PRESSURE GAUGE):

PRESSURE GAUGES (P) PROVIDE PRESSURE READING IN THE INLET, OUTLET AND COVER CONNECTIONS.

SUFFIX S (OPENING SPEED CONTROL)

FLOW CONTROL (S) CONTROLS THE OPENING SPEED OF THE MAIN VALVE. TURN THE ADJUSTING STEM CLOCKWISE TO MAKE THE MAIN VALVE OPEN SLOWER.

SUFFIX V (VALVE POSITION INDICATOR):

VALVE POSITION INDICATOR (V) DISPLAYS A VISUAL POSITION OF THE MAIN VALVE STEM.

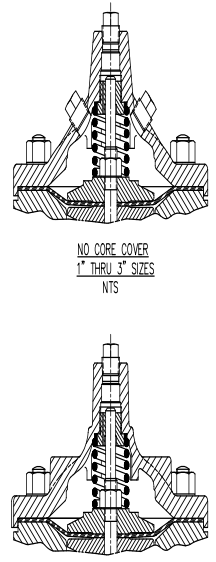
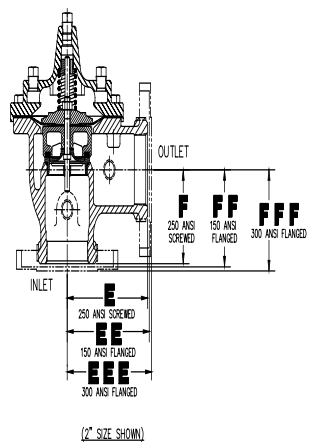
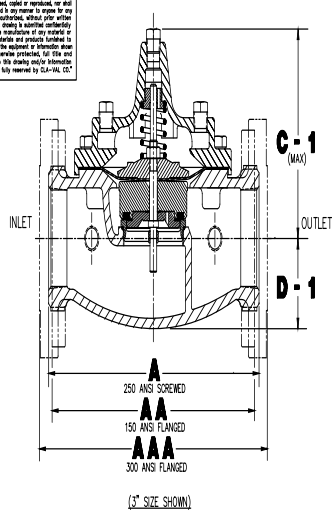
IV. CHECK LIST FOR PROPER OPERATION:

- () SYSTEM VALVES OPEN UPSTREAM AND DOWNSTREAM.
- () AIR REMOVED FROM THE MAIN VALVE COVER AND PILOT SYSTEM AT ALL HIGH POINTS.
- () CK2 COCKS (B1), (B2) & (D3) OPEN (OPTIONAL FEATURE).
- () PERIODIC CLEANING OF STRAINER (2) IS RECOMMENDED.
- () CV FLOW CONTROL (S) OPEN AT LEAST 4 TURNS (OPTIONAL FEATURE).

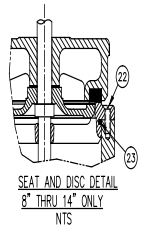
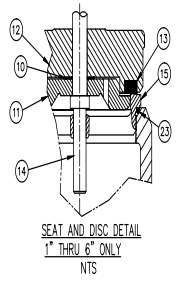
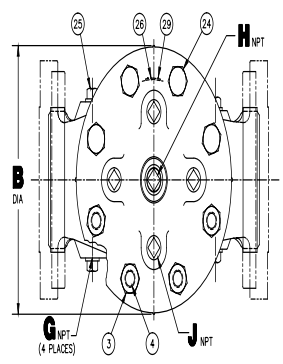
CAD REVISION RECORD - DO NOT REVISE MANUALLY	DESCRIPTION	BY	DATE
	SEE SHEET 1		
LTR			

THIS DRAWING IS THE PROPERTY OF CLA-VAL CO. AND SAME AND COPIES MADE THEREOF, IF ANY, SHALL BE RETURNED TO IT UPON DEMAND. DELIVERY AND DISCLOSURE HEREOF ARE SOLELY UPON CONDITION THAT THE SAME SHALL NOT BE USED, COPIED OR REPRODUCED, NOR SHALL THE SUBJECT HEREOF BE DISCLOSED IN ANY MANNER TO ANYONE FOR ANY PURPOSE, EXCEPT AS HEREIN AUTHORIZED, WITHOUT PRIOR WRITTEN APPROVAL OF CLA-VAL CO. THIS DRAWING IS SUBMITTED CONFIDENTIALLY AND MAY NOT BE USED IN THE MANUFACTURE OF ANY MATERIAL OR PRODUCT OTHER THAN SUCH MATERIALS AND PRODUCTS FURNISHED TO CLA-VAL CO. WHETHER OR NOT THE EQUIPMENT OR INFORMATION SHOWN HEREON IS PATENTED OR OTHERWISE PROTECTED, FULL TITLE AND COPYRIGHTS, IF ANY, IN AND TO THIS DRAWING AND/OR INFORMATION DELIVERED OR SUBMITTED ARE FULLY RESERVED CLA-VAL CO.

This drawing is the property of CDA-VAL CO. and same and copies may be loaned. If they shall be returned to you upon demand. Safety and dimensions listed are made only upon condition that the user will follow all safety and maintenance, and will be subject thereto in addition to the control of the manufacturer, except on items indicated, without other written approval of CDA-VAL CO. This drawing is neither a contract and may not be used in the manufacture of any material or product other than those specifically and expressly intended by CDA-VAL CO. Neither is it the subject of a license or other benefit in patent or otherwise, pending, for file and copyright, if any, in and to this drawing and/or literature herein or submitted on file, owned by CDA-VAL CO.

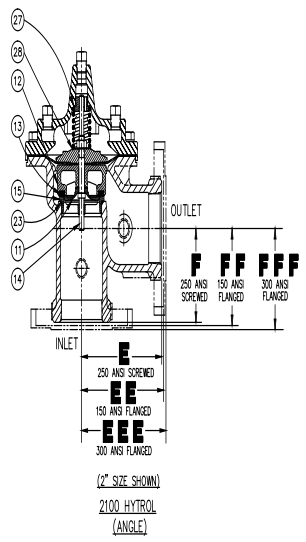
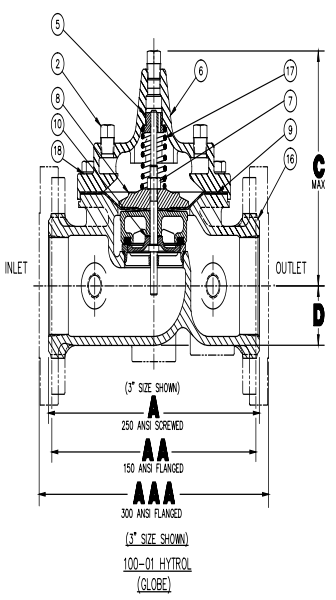


OLD STYLE BODY CONFIGURATIONS



		DIMENSION TABLE												
VALVE SIZES		1"	1 1/4"	1 1/2"	2"	2 1/2"	3"	4"	6"	8"	10"	12"	14"	F
A		7.25	7.25	7.25	9.38	11.00	12.50	-	-	-	-	-	-	-
AA		-	-	8.50	9.38	11.00	12.00	15.00	20.00	25.38	29.75	34.00	39.00	-
AAA		-	-	9.00	10.00	11.62	13.25	15.62	21.00	26.38	31.12	35.50	40.50	-
B	DIA	5.62	5.62	5.62	6.62	8.00	9.12	11.50	15.75	20.00	23.62	28.00	32.75	-
C	MAX	5.50	5.50	5.50	6.50	7.56	8.19	10.62	13.38	16.00	-	-	-	-
C-1	MAX	-	4.75	4.75	5.75	6.88	7.25	9.31	12.12	14.62	17.12	20.88	24.19	-
D		1.12	1.12	1.12	1.50	1.69	2.06	3.19	4.31	5.31	-	-	-	-
D-1		-	2.00	2.00	2.50	2.88	3.12	4.25	6.00	7.56	9.25	10.75	12.62	-
E		3.25	3.25	3.25	4.75	5.50	6.25	-	-	-	-	-	-	-
EE		-	-	4.00	4.75	5.50	6.00	7.50	10.00	12.89	14.88	17.00	19.50	-
EEE		-	-	4.25	5.00	5.88	6.38	7.88	10.50	13.25	15.56	17.75	20.25	-
F		1.88	1.88	1.88	3.25	4.00	4.50	-	-	-	-	-	-	-
FF		-	-	4.00	3.25	4.00	4.00	5.00	6.00	8.00	8.62	13.75	14.88	-
FFF		-	-	4.25	3.50	4.31	4.38	5.31	6.50	8.50	9.31	14.50	15.62	-
G	NPT	3/8"	3/8"	3/8"	3/8"	1/2"	1/2"	3/4"	3/4"	1"	1"	1"	1"	-
H	NPT	1/4"	1/4"	1/4"	1/2"	1/2"	1/2"	3/4"	3/4"	1"	1"	1-1/4"	1-1/2"	-
J	NPT	1/4"	1/4"	1/4"	3/8"	1/2"	1/2"	3/4"	3/4"	1"	1"	1"	1"	-

* 3/8" NPT FOR NO CORE COVER



** USE ON PAINTED OR EPOXY-COATED VALVES ONLY
** RECOMMENDED SPARE PARTS

ITEM NO.	DESCRIPTION	QTY
29	SCREEN DRIVE	2
28	WASHER, SPRING, LOWER **	1
27	WASHER, SPRING, UPPER **	1
26	NAMEPLATE	1
25	PLUG, PIPE, BODY	A/R
24	BOLT, HEX HD. (1" THRU 6" ONLY)	A/R
23	O-RING, SEAT	1
22	SCREW, FLAT HD. (8" THRU 14" ONLY)	A/R
21		
20		
19		
18	WASHER, FLAT	A/R
17	SPRING	1
16	BODY	1
15	SEAT	1
14	STEM	1
13	DISC	1
12	RETAINER, DISC	1
11	GUIDE, DISC	1
10	WASHER, SPACER	2
9	DIAPHRAGM	1
8	WASHER, DIAPHRAGM	1
7	NUT, STEM	1
6	COVER	1
5	BEARING, COVER	1
4	STUD (8" THRU 14" ONLY)	A/R
3	NUT, HEX (8" THRU 14" ONLY)	A/R
2	PLUG, PIPE, COVER	A/R
1	PLUG, PIPE, CENTER COVER	1

UNLESS OTHERWISE SPECIFIED DIMENSIONS ARE IN INCHES
TOLERANCES ARE:
FRACTIONS DECIMALS ANGULAR
± 1/32 0.01 0.05 ± 0.5°
MAX = +.02 - .00
MIN = +.00 - .00

CONTRACT NO. _____
DATE _____
DRAWN BY _____
CHECKED BY _____
APPROVED BY _____
DATE _____

1" THRU 14"
100-01 & 2100 HYTROL

86184 90842

1/2 & NOTED IN P&C SHEET 1 OF 2



— MODEL — **100-20**
(Reduced Internal Port)

600 Series Hytrol Valve

SERVICE AND MAINTENANCE OF 600 SERIES VALVES

The 600 series main valves have only one part -the body- that is different from standard 100 Series Cla-Val main valve parts. The remaining parts of the 600 series main valve are standard Cla-Val main valve parts. All service and maintenance information for the standard 100 Series main valves in this manual also apply to the 600 series main valves.

The most important thing to remember when ordering main valve repair kits and replacement parts, except for the body, all other parts are going to be for a smaller size main valve. Cla-Val identifies main valve parts with the flange size of the standard 100 Series main valve. Refer to the "Main Valve Sizes Comparison" chart. For example, if you are servicing a 6" 100-20 Hytrol and needed a repair kit, you would order a repair kit for a 4" 100-01 Hytrol. This kit is also suitable for a 6" 100-20 Hytrol. Complete Technical Manuals include a repair kit data sheet N-RK that shows this relationship.

When you order repair parts, it is a good idea to include valve nameplate data (size, catalog number, and part number) and description of the parts desired. Do this to be sure parts will fit the valve you are working on and not be too big for it. Pilot controls and repair kits maintenance information remain the same for 100 or 600 Series valves.

UNDERSTANDING THE 600 SERIES VALVES

In 1987, Cla-Val introduced the Model 100-20 Hytrol as the basic main valve for the 600 Series of automatic control valves. To identify all new valves using the 100-20 Hytrol, an existing catalog number is modified. Making a 600 Series catalog number is simply done by using a "6" in front of the two digit catalog numbers or replacing the "2" with a "6" in three digit catalog numbers. Current schematics reflect both catalog numbers together separated by a slash (i.e. - 90-01/690-01, 58-02/658-02, 210-01/610-01, etc). Since these two valves 'share' the same catalog number and schematic, they provide the same function in a system. The only difference between the two valves is the relative capacity of the two main valve series.

The 100-01 Hytrol is the basic main valve for Cla-Val automatic control valves. This valve is the current version of the Clayton Hytrol valve design originated in 1936. The 100-01 Hytrol is designed as a full flow area valve. This means that the inlet, seat and outlet openings are the same size. Thus, the pressure drop is kept to a minimum for this globe style design.

The 100-20 Hytrol valve has all of the basic features and advantages of the original 100-01 Hytrol. Only one part has been changed - the body. It is designed with different size inlet, seat and outlet openings. The 100-20 Hytrol has inlet and outlet flanges one valve size larger than the seat opening size. This results in what is sometimes called a 'reduced port' main valve. For example, a 4" 100-20 valve has a 3" seat. Note: valve size is always determined by the flange size. The following chart compares the 100-01 and the 100-20 main valves.

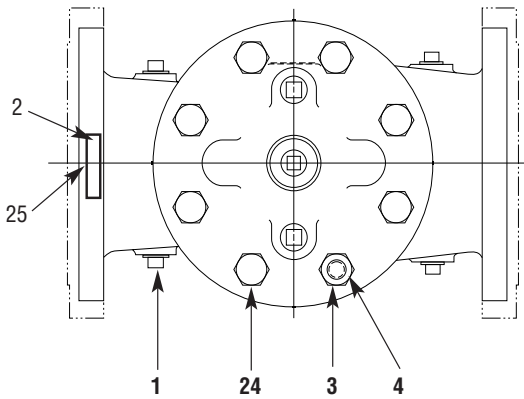
Basic Main Valve Size Comparison		
Globe Pattern Valves		
Flange Size (inch)	Seat Size	
	100-01 (100 Series)	100-20 (600 Series)
3	3	2
4	4	3
6	6	4
8	8	6
10	10	8
12	12	10
14	14	----
16	16	12
18	----	16
20	20	16
24	24	16
30	30	24
36	36	30
42	----	36
48	----	36
Angle Pattern Valves		
Flange Size (inch)	Seat Size	
	100-01 (100 Series)	100-20 (600 Series)
4	4	3
6	6	4
8	8	6

The 100-20 Hytrol is available only in ductile iron, 150 and 300 pressure class, and Bronze trim standard. Available extra cost main valve options include stainless steel trim, epoxy coating, Dura-Kleen stem, Delrin sleeved stem, and high temperature rubber parts. All four basic main valves have a 600 Series version available with all of the same benefits and size relationships. The following chart shows the relationship of Cla-Val main valve catalog numbers.

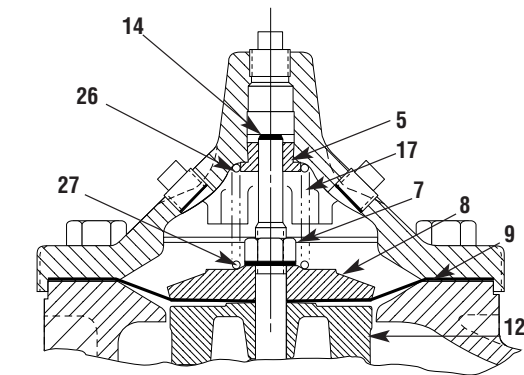
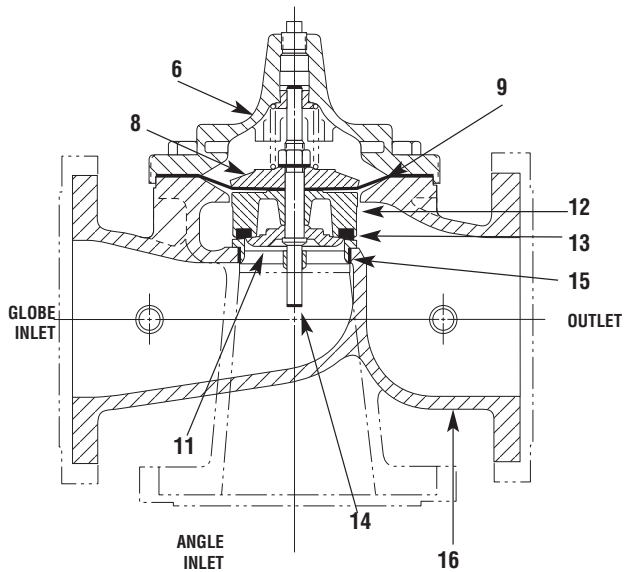
Cla-Val Main Valves

Catalog Name	Catalog Number		
	Circa 1936	100-Series	600 Series
Hytrol	100 (Angle =2100)	100-01	100-20
Powertrol	100P & 100PA	100-02	100-21
Powercheck	100PC & 100PCA	100-03	100-22
Hycheck	181	100-04	100-23

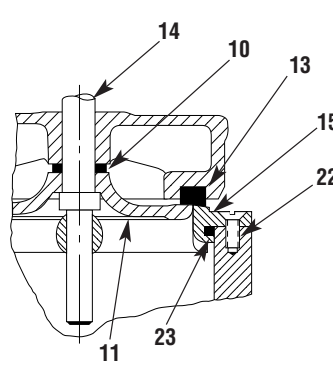
100-20



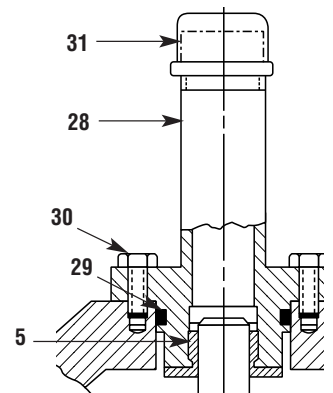
TOP VIEW



3" - 6" COVER DETAIL



10" - 24" SEAT DETAIL



20" - 24" COVER DETAIL

PARTS LIST

NO. DESCRIPTION

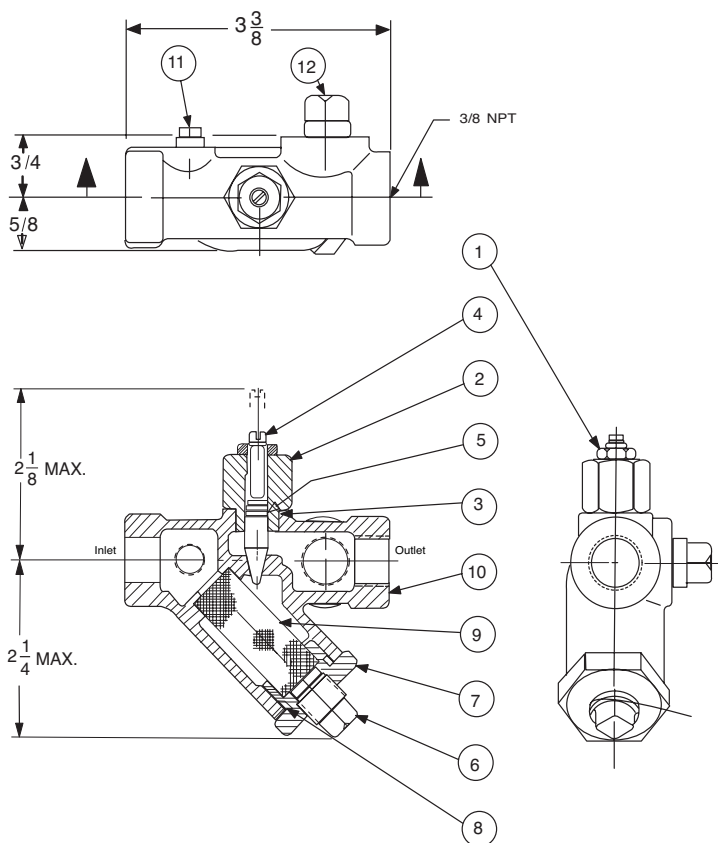
- 1 Pipe Plug
- 2 Drive Screws (for nameplate)
- 3 Hex Nut (8" and larger)
- 4 Stud (8" and larger)
- 5 Cover Bearing
- 6 Cover
- 7 Stem Nut
- 8 Diaphragm Washer
- 9 Diaphragm
- 10 Spacer Washers
- 11 Disc Guide
- 12 Disc Retainer
- 13 Disc
- 14 Stem
- 15 Seat
- 16 Body
- 17 Spring
- 22 Flat Head Screws (10" and larger)
- 23 Seat O-Ring
- 24 Hex Bolt (3" Thru 6")
- 25 Nameplate (Mounted on inlet flange)
- 26 Upper Spring Washer (Epoxy coated valves only)
- 27 Lower Spring Washer (Epoxy coated valves only)
- 28 Cover Bearing Housing (20" & 24" & 30")
- 29 Cover Bearing Housing O-Ring (20" & 24" & 30")
- 30 Hex Bolt (20" & 24")
- 31 Pipe Cap (20" & 24" & 30")

WHEN ORDERING PARTS, BE SURE TO GIVE COMPLETE NAMEPLATE DATA, ITEM NUMBER AND DESCRIPTION.



X42N-2

Strainer and Needle Valve Assembly



When ordering parts,
please specify:

- All nameplate data
- Item Number
- Description

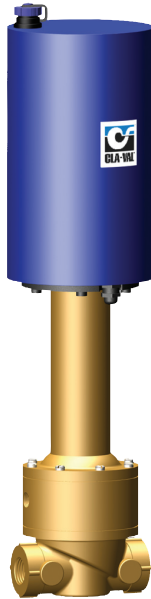
Size	Stock Number
3/8" x 3/8"	68372C

ITEM	DESCRIPTION	MATERIAL	PART NO.
1	Jam Nut - Hex	Sil Brz	6779806G
2	Bonnet	S.S.	67910A
3	O-Ring - Bonnet	Syn Rub	00713J
4	Stem	S.S.	67907G
5	O-Ring - Stem	Syn Rub	00708J
6	Plug - Pipe 1/4"	Bre.	6784702A
7	Strainer Plug	303	67911J
8	O-Ring - Plug	NBR	00751J
9	Screen	Monel	68373A
10	Body	Rd Brs	67905A
11	Plut - Pipe 1/8	Brass	6784701C
12	Plug - Pipe 3/8	Brass	67660-03F



— MODEL — **CRL-33**

Electronic Actuated Pressure Sustaining Pilot Control

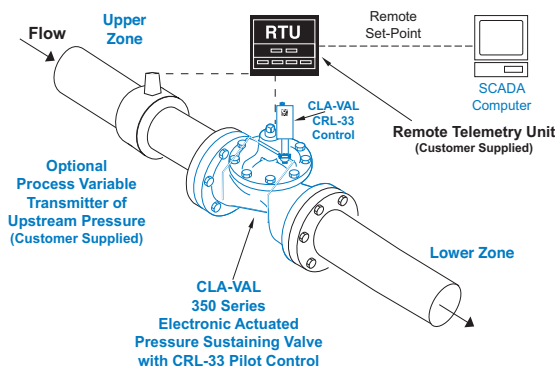
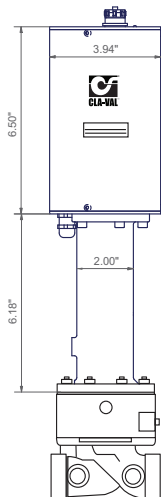


- Simplified Remote Valve Set-Point Control
- 12-24VDC Input Power
- Isolated Input
- Reverse Polarity Protection
- Reliable Hydraulic Operation
- IP-68 Submersible

The Cla-Val Model CRL-33 Electronic Actuated Pressure Sustaining Pilot Control provides remote set-point adjustment and accurate pressure sustaining control on Cla-Val 350 Series Control Valves. Remote set-point command signals can be from any SCADA-type control system using an analog 4-20 mA signal or by contact closure for cc/ccw rotation.

The CRL-33 senses upstream pressure with a remote hydraulic connection. Operating on 12 to 24 VDC and consuming very little power, it is an ideal control system for remote valve sites that may even be solar powered. Existing manually-set Cla-Val 50 Series Pressure Sustaining control valves can be retrofitted with CRL-33 to add remote set-point control of minimum inlet pressure. Verification of inlet pressure may be sent to SCADA system from customer supplied pressure sensor attached upstream of valve.

The CRL-33 consists of a hydraulic pilot and integral controller that accepts a 4-20 mA remote set-point and positions the pilot to maintain a minimum pressure at valve inlet within preset limits. Pressure settings are linear between these settings. Pressure settings are calibrated to the specific spring range of the control. Special USB connector cable and free downloadable software can be used to change this range if needed. Continuous internal monitoring of actuator position results in smooth transitions between pilot set-points with no backlash or dithering. Should power or control input fail, the CRL-33 pilot remains in automatic hydraulic control assuring system stability under all conditions.



Typical Applications

The CRL-33 is installed on Cla-Val 350 Series valves that maintain minimum upstream pressure by relieving excess pressure to lower zone and require this pressure setting to be changed from a remote location. It is also an effective solution for lowering costs associated with "confined space" requirements by eliminating the need for entry in valve structure for set point adjustment. Flow information can also be provided from the main valve, see E-133VF. Additional pilot controls, hydraulic and/or electronic, are also available to perform multiple functions to fit exact system requirements.



CRL-33 Purchase Specifications

The Electronic Actuated Pressure Sustaining Pilot Control shall have an integral hydraulic pilot and electronic controller contained in a IP-68 rated submersible enclosure to provide interface between remote telemetry and valve set-point control. It will compare a remote analog command signal with an internal position sensor signal and adjust the hydraulic pilot control spring mechanism to a new set-point position. Remote analog signal input shall be isolated and reverse polarity protected. 4-20 mA actuator position feedback output shall be supplied standard. A second command control input shall be from dry-contact switch closure for clockwise or counter clockwise actuator rotation. Assembly shall be factory calibrated to the spring range listed below.

If power fails, the control pilot valve shall continue to control main valve to last set-point command. If the Remote Set-Point signal is lost the actuator shall be programmable to go to either the 4mA, Last, or 20mA command set-point. No mechanical adjustments shall be necessary to the actuator. The low and high position range adjustment shall be accomplished only with valve manufacturer's components and instructions to be supplied in a separate kit. The assembly shall be supplied with 30 feet of cable.

The Electronic Actuated Pressure Sustaining Pilot Control shall be Cla-Val Model CRL-33 as manufactured by Cla-Val, Newport Beach, CA.

Pilot Control Subassembly Specifications

Adjustment Ranges

0 to 75 psi
20 to 105 psi
20 to 200 psi

End Connection

1/2" NPT

Temperature Range

Water: to 180°F

Materials

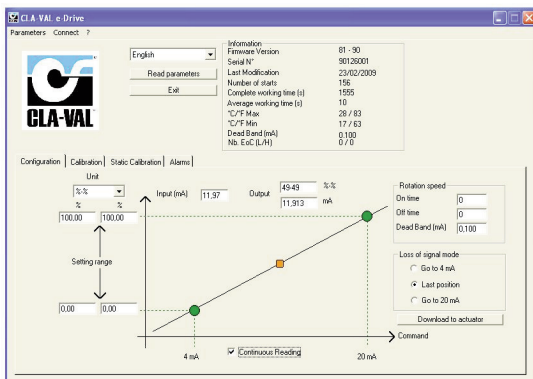
Pilot Control: Bronze ASTM B62
Trim: Stainless Steel Type 303
Rubber: Buna-N® Synthetic Rubber

Available with optional Stainless Steel or Monel materials at additional cost. Consult factory for details.

Note: Total Shipping Weight: 8 Lbs.

Options:

- Re-ranging software - free download from www.cla-val.com. Ranging software makes it easy to set low (4mA) and high (20mA) set-point limits.



- USB connection cable required when changing range parameters or restoring range parameters after servicing pilot control subassembly.

CRL-33 Electronic Actuator Specifications

Supply Power Input: 12V to 24V DC
No Load draw: 50 mA
Max. Load draw: 250 mA

Remote Command Inputs: • 4-20mA, analog signal (isolated and reverse-polarity protected)
• Dry contact closure (CW/CCW)

Position Feedback Signal: 4-20 mA

Alarm Output: Dry-contact closure (High/Low)

Speed of Rotation: Adjustable On/Off time, max 6 rpm

Diagnostic: LED Indicator

Loss of Power: Actuator will remain in last commanded position.

Loss of Signal Position: Programmable - 4 mA, Last, or 20 mA

Electrical Connections: Single, 30 feet of permanently attached cable with color-coded power supply and signal wires

Mechanical Specifications:

Environmental

Protection Class: IP-68 (Temporary submersible)

Ambient Temperature: 15° to 150° F (-10° to 65° C)

Materials

Electronics Enclosure: Anodized Aluminum

Mechanical Housing: Bronze

Coupling Assembly: Stainless Steel

Gear Train: Stainless Steel, permanently lubricated

When Ordering, Please Specify

1. Catalog No. CRL-33
2. Materials - Pilot Control - Wetted Parts



E-CRL-33 (R-2/2012)

CLA-VAL

PO Box 1325 Newport Beach CA 92659-0325
Phone: 949-722-4800 • Fax: 949-548-5441

CLA-VAL CANADA

4687 Christie Drive
Beamsville, Ontario
Canada L0R 1B4
Phone: 905-563-4963
Fax: 905-563-4040


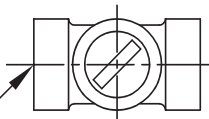
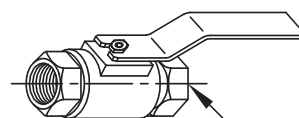

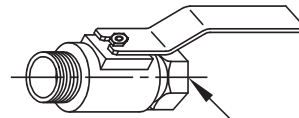
CLA-VAL EUROPE

Chemin des Mesanges 1
CH-1032 Romanel/
Lausanne, Switzerland
Phone: 41-21-643-15-55
Fax: 41-21-643-15-50

©COPYRIGHT CLA-VAL 2011 Printed in USA
Specifications subject to change without notice.

www.cla-val.com

Represented By:

AK	07-10-08	AK	08-14-08	PC	10-1-2008			
	 CLA-VAL CO. NEWPORT BEACH, CALIFORNIA		CATALOG NO.		DRAWING NO. 67783	REV BD		
	TYPE OF VALVE AND MAIN FEATURES CK2 COCK/BALL VALVE					DESIGN DRAWN MGR 4-02-80 CHK'D KD 4-03-80 APV'D CH 4-07-80		
SCALE: NONE								
								
								
CLA-VAL PART NO. AND MATERIAL								
BRONZE WITH HANDLE	STEEL WITH HANDLE	IRON WITH HANDLE	316 SST WITH HANDLE	316 SST W/ LOCKING HANDLE	BRONZE WITH HANDLE	MONEL WITH HANDLE	MONEL W/ LOCKING HANDLE	SIZE "NPT"
67783-01K*	-09C	-17F	-25J SUPSD BY-26G		-41F SUPSD BY-01K			1/8"
-02H	-10A	-18D	-26G	-51E SUPSD BY-26G -52C	-42D SUPSD BY-02H	-55F		1/4"
-03F * -59H***	-11J	-19B	-27E	-46E SUPSD BY-27E -53A	-45G -57B**	-48A SUPSD BY-49J	-63K	3/8"
-04D -60F***	-12G	-20K	-28C	-54J	-43B SUPSD BY-04D	-49J	-62B	1/2"
-05A -61D***	-13E	-21H	-29A	-64H	-44K SUPSD BY-05A	-56D		3/4"
-06J	-14C	-22F	-30J			-58K		1"
-07G	-15K	-23D	-31G					1 1/4"
-08E	-16H	-24B	-32E					1 1/2"
-50G			-47C					2"
<p>* SEE ENGINEERING APPROVED VENDORS TABLE (SHEET 2 OF 2).</p> <p>** HAMMOND VALVE 8501 ONLY.</p> <p>*** WILKINS CK2 (SEE SHEET 2 OF 2)</p>								

"THIS DRAWING IS THE PROPERTY OF CLA-VAL CO. AND SAME AND COPIES MADE THEREOF, IF ANY, SHALL BE RETURNED TO IT UPON DEMAND. DELIVERY AND DISCLOSURE HEREOF ARE SOLELY UPON CONDITION THAT THE SAME SHALL NOT BE USED, COPIED OR REPRODUCED, NOR SHALL THE SUBJECT HEREOF BE DISCLOSED IN ANY MANNER TO ANYONE FOR ANY PURPOSE, EXCEPT AS HEREIN AUTHORIZED, WITHOUT PRIOR WRITTEN APPROVAL OF CLA-VAL CO. THIS DRAWING IS SUBMITTED CONFIDENTIALLY AND MAY NOT BE USED IN THE MANUFACTURE OF ANY MATERIAL OR PRODUCT OTHER THAN SUCH MATERIALS AND PRODUCTS FURNISHED TO CLA-VAL CO. WHETHER OR NOT THE EQUIPMENT OR INFORMATION SHOWN HEREON IS PATENTED OR OTHERWISE PROTECTED, FULL TITLE AND COPYRIGHTS, IF ANY, IN AND TO THIS DRAWING AND/OR INFORMATION DELIVERED OR SUBMITTED ARE FULLY RESERVED CLA-VAL CO."



X141

Cla-Val 2 1/2" & 4" Gauge Option



Model X141
4" Pressure Gauge

- Liquid-Filled
- Dual Scale (PSI / BAR)
- Long Life Stainless Steel Construction
- Tamper-Resistant Design
- 2 1/2" and 4" Diameter Sizes
- Isolation Valve Included

The Cla-Val Model X141 Pressure Gauge Option consists of liquid-filled pressure gauges with Cla-Val Logo installed with 1/4" CK2 Bronze Isolation Valves on main valve inlet and outlet. Gauges are waterproof, shock resistant, and fully enclosed with Stainless Steel case and Bronze wetted parts. All gauges have dual scale (PSI/BAR) and 1.5% F.S. accuracy with 1/4" NPT bottom connection. 2 1/2" Diameter Dial supplied with 6" and smaller valves. 4" Diameter Dial supplied with 8" and larger valves. Available installed on new valves and must be specified on customer Purchase Order. Other materials available consult factory.

Available Pressure Ranges

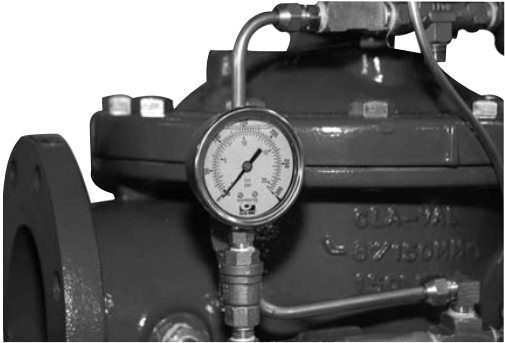
X141 Gauge Assembly for 6" and smaller valves
(2 1/2" Diameter Dial)

Pressure	
Range*	Part Number
0 - 60 psi	20534301 A
0 - 100 psi	20534302K
0 - 160 psi	20534311J
0 - 200 psi	20534303J
0 - 300 psi	20534304H
0 - 400 psi	20534305G

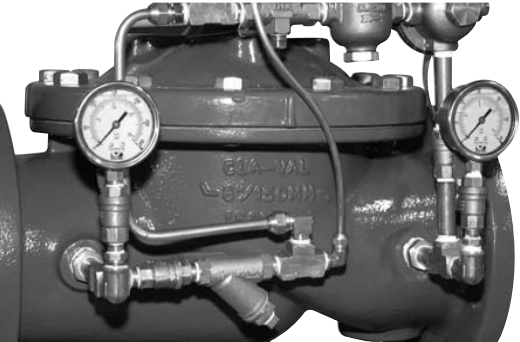
X141 Gauge Assembly for 8" and larger valves
(4" Diameter Dial)

Pressure	
Range*	Part Number
0 - 60 psi	20534306F
0 - 100 psi	20534307E
0 - 200 psi	20534308D
0 - 300 psi	20534309C
0 - 400 psi	20534310K

Typical Installation of X141



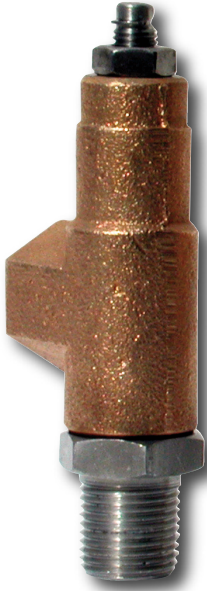
Typical Installation of X141 Both Gauges Installed



*Specify desired pressure range and valve location (inlet or outlet) on order.



—MODEL— **CV**
Flow Control



DESCRIPTION

The CV Control is an adjustable restriction which acts as a needle valve when flow is in the direction of the stem. When flow is in the reverse direction, the port area opens fully to allow unrestricted flow. When installed in the control system of a Cla-Val automatic valve, it can be arranged to function as either an opening or closing speed control.

OPERATION

The CV Flow Control permits full flow from port A to B, and restricted flow in the reverse direction. Flow from port A to B lifts the disc from seat, permitting full flow. Flow in the reverse direction seats the disc, causing fluid to pass through the clearance between the stem and the disc. This clearance can be increased, thereby increasing the restricted flow, by screwing the stem out, or counter-clockwise. Turning the stem in, or clockwise reduces the clearance between the stem and the disc, thereby reducing the restricted flow.'

INSTALLATION

Install the CV Flow Control as shown in the valve schematic. All connections must be tight to prevent leakage.

DISASSEMBLY

Follow the sequence of the item numbers assigned to the parts in the cross sectional illustration for recommended order of disassembly.

Use a scriber, or similar sharp-pointed tool to remove O-ring from the stem.

INSPECTION

Inspect all threads for damage or evidence of cross-threading. Check mating surface of seat and valve disc for excessive scoring or embedded foreign particles. Check spring for visible distortion, cracks and breaks. Inspect all parts for damage, corrosion and cleanliness.

CLEANING

After disassembly and inspection, cleaning of the parts can begin. Water service usually will produce mineral or lime deposits on metal parts in contact with water. These deposits can be cleaned by dipping the parts in a 5-percent muriatic acid solution just long enough for deposits to dissolve. This will remove most of the common types of deposits. **Caution: use extreme care when handling acid.** If the deposit is not removed by acid, then a fine grit (400) wet or dry sandpaper can be used with water. Rinse parts in water before handling. An appropriate solvent can clean parts used in fueling service. Dry with compressed air or a clean, lint-free cloth. Protect from damage and dust until reassembled.

REPAIR AND REPLACEMENT

Minor nicks and scratches may be polished out using a fine grade of emery or crocus cloth; replace parts if scratches cannot be removed.

Replace O-ring packing and gasket each time CV Flow Control is overhauled.

Replace all parts which are defective. Replace any parts which create the slightest doubt that they will not afford completely satisfactory operation. Use Inspection steps as a guide.

REASSEMBLY

Reassembly is the reverse of disassembly; no special tools are required.

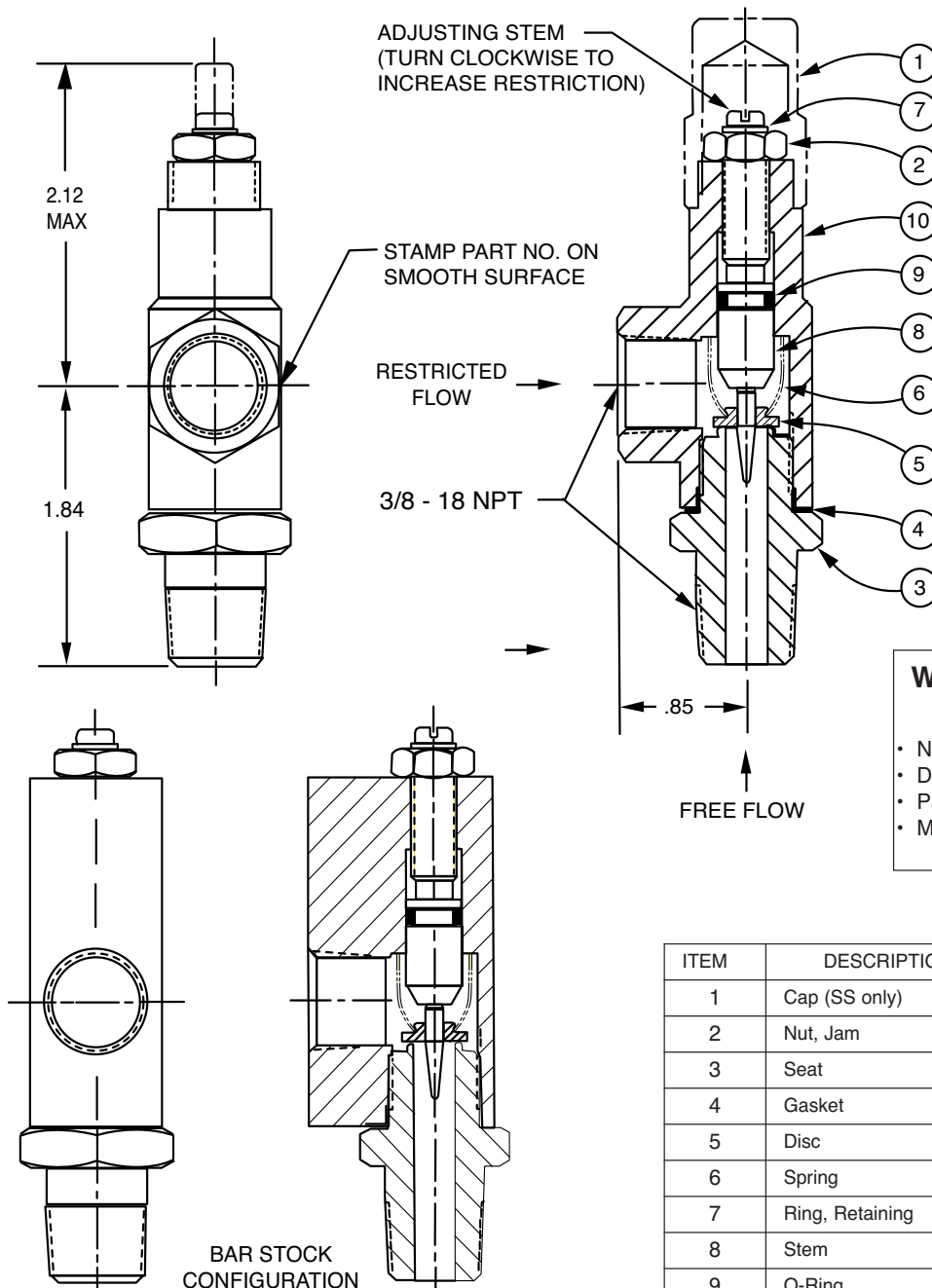
TEST PROCEDURE

No testing of the flow Control is required prior to reassembly to the pilot control system on Cla-Val Main Valve.



CV

3/8" Flow Control


**When ordering parts,
please specify:**

- Number Stamped on Side
- Description (CV Flow Control)
- Part Description
- Material

ITEM	DESCRIPTION	QTY
1	Cap (SS only)	1
2	Nut, Jam	1
3	Seat	1
4	Gasket	1
5	Disc	1
6	Spring	1
7	Ring, Retaining	1
8	Stem	1
9	O-Ring	1
10	Housing	1



—MODEL— **X101**

Valve Position Indicator & Pilot System Components

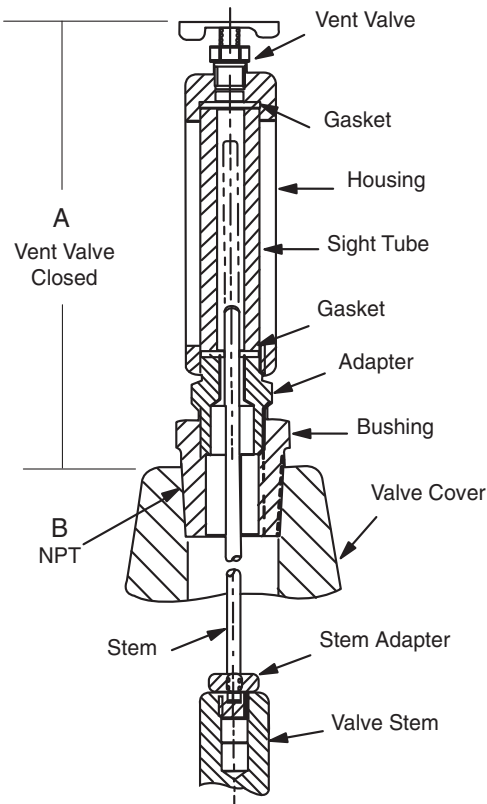


- **Positive Visual Indicator**
- **Frictionless**
- **Leak Proof**
- **Easy Maintenance and Cleaning**
- **Protected Indicator Rod**

The Cla-Val Model X101 Visual Position Indicator is designed to display Cla-Val valve position quickly and easily. A solid brass indicator rod fastened directly to the valve stem moves up and down inside a pyrex tube. The tube is contained within a brass housing which is open on two opposite sides to permit clear vision of the indicator rod.

To purge air that may be trapped in the valve cover, a vent valve in the top of the housing is provided. Model X101 valve position indicator is furnished complete for installation on specified size Cla-Val Automatic Control Valve.

Dimensions



VALVE SIZE	A INCHES	B NPT
1"	5.88	1/4"
1 1/4"	3.21	1/4"
1 1/2"	3.21	1/4"
2"	3.33	1/2"
2 1/2"	3.33	1/2"
3"	3.33	1/2"
4"	4.52	3/4"
6"	4.52	3/4"
8"	5.83	1"
10"	7.70	1"
12"	8.20	1 1/4"
14"	8.20	1 1/2"
16"	10.81	2"
18"	12.04	1"
20"	12.04	1"
24"	12.04	1"

Dimension "A" is height added to valve by indicator assembly

Specifications

- Sizes: 1" thru 24"
 Materials: Brass, Pyrex Tube
 Pressure Rating: 400 psi
 Optional Material: Stainless Steel

Installation

Can be installed on any Cla-Val basic main valve in a few minutes. Simply replace the fitting on top of the valve cover with the indicator assembly.

When Ordering, Please Specify

1. Valve Size
2. Catalog No. X101
3. Valve Series No. (Appears on Valve Nameplate)
4. Optional Material
Stainless Steel

CSM-11 Solenoid Control

Body Material

Standard: Bronze with Monel Trim

Option: Bronze with Stainless Steel Trim



CDS6A Altitude Control

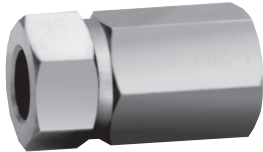
Wetted Body Material

Standard: Bronze with Stainless Steel Trim



No. of Springs	Altitude Ranges
1	5 - 40 ft
2	30 - 80 ft
3	70 - 120 ft
4	110 - 160 ft
5	150 - 200 ft

CDC-1 Check Valve



Size	Body Material	Trim Material
3/8"-1/2"	Brass	Delrin

CSC Swing Check Valve



Size	Body Material	Trim Material
3/8"-1"	Brass	Brass/Buna N

CN Series - Needle Valves



Size	Body Material	Trim Material
1/4"-1"	Standard: Bronze Option: Stainless Steel	Brass Stainless Steel

CK Series - Isolation Valve



Size	Body Material	Trim Material
3/8"-1"	Standard: Bronze Option: Stainless Steel	Stainless Steel/Teflon Stainless Steel/Teflon



CLA-VAL

1701 Placentia Ave. Costa Mesa, CA 92627
Phone: 949-722-4800 • Fax: 949-548-5441

CLA-VAL CANADA
4687 Christie Drive
Beamsville, Ontario
Canada L0R 1B4
Phone: 905-563-4963
Fax: 905-563-4040

CLA-VAL EUROPE
Chemin des Mesanges 1
CH-1032 Romanel/
Lausanne, Switzerland
Phone: 41-21-643-15-55
Fax: 41-21-643-15-50

©COPYRIGHT CLA-VAL 2017 Printed in USA
Specifications subject to change without notice.

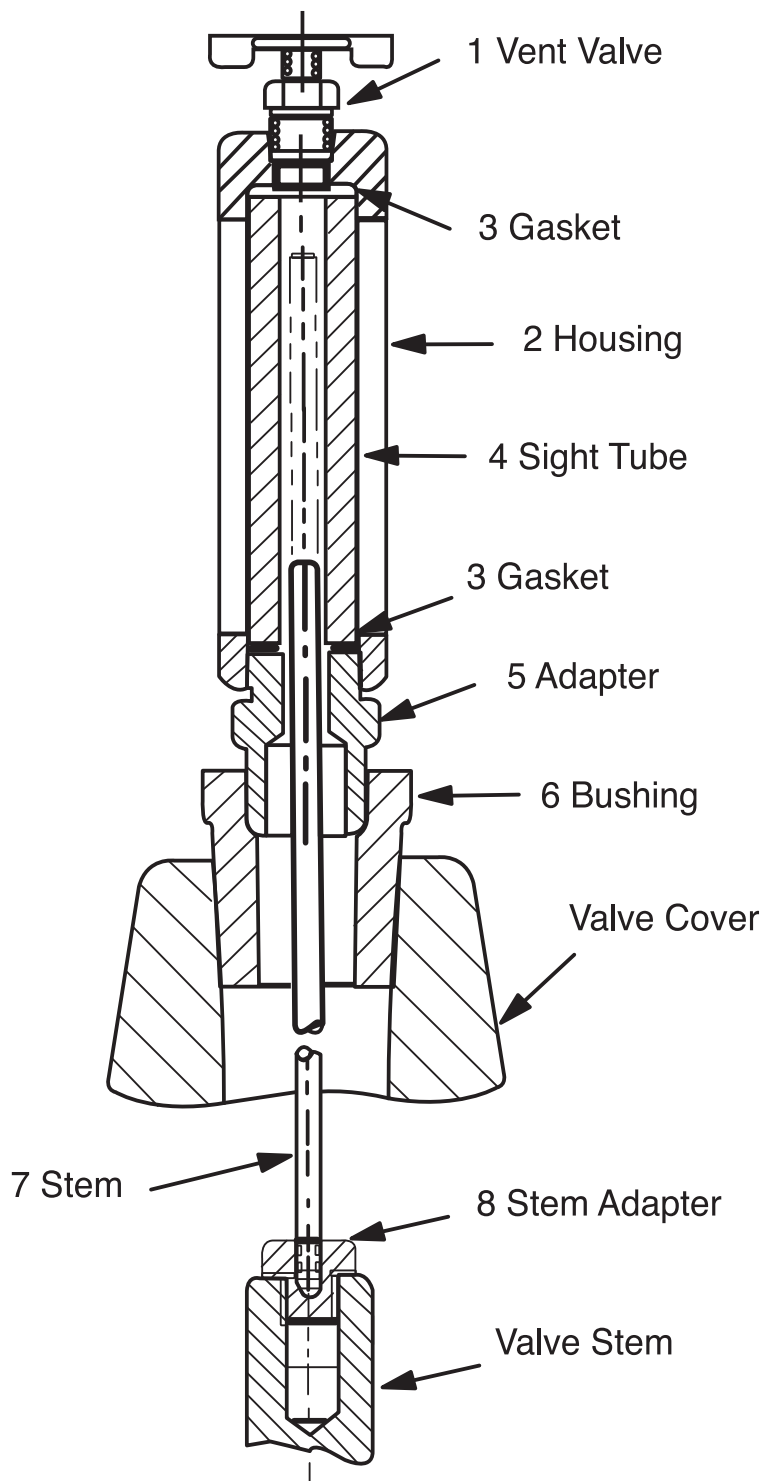
www.cla-val.com

Represented By:



X101

Valve Position Indicator



COMPLETE X101

Size	Stock No.
1 1/4 - 1 1/2	C2812A
2	C8972G
2 1/2	C2607E
3	C2609A
4	9710001A
6	9710002J
8	C8581F
10	C9187A
12	31420D
14	30256C
16	30251D

ITEM	DESCRIPTION	MATERIAL
1	Vent Valve	Brass
2	Housing	Brass
3	*Gasket (2 Required)	Buna-N®
4	*Sight Tube	Pyrex
5	Adapter	Brass
6	Busing	Brass
7	Stem	Brass
8	Stem Adapter	Brass

When ordering parts, please specify:

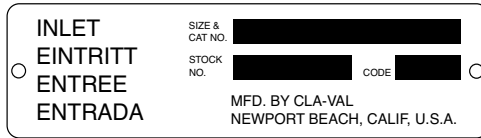
- All Nameplate data
- Item Number
- Description
- Material
- Part Number

Proper Identification

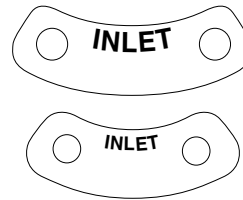
For ordering repair kits, replacement parts, or for inquiries concerning valve operation, it is important to properly identify Cla-Val products already in service by including all nameplate data with your inquiry. Pertinent product data includes valve function, size, material, pressure rating, end details, type of pilot controls used and control adjustment ranges.

Identification Plates

For product identification, cast-in body markings are supplemented by identification plates as illustrated on this page. The plates, depending on type and size of product, are mounted in the most practical position. **It is extremely important that these identification plates are not painted over, removed, or in any other way rendered illegible.**



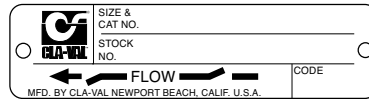
This brass plate appears on valves sized 2 1/2" and is located on the top of the inlet flange.



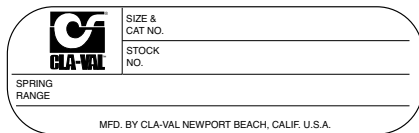
These two brass plates appear on 3/8", 1/2", and 3/4" size valves and are located on the valve cover.



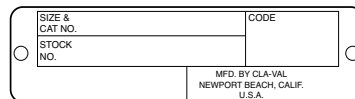
This brass plate appears on altitude valves only and is found on top of the outlet flange.



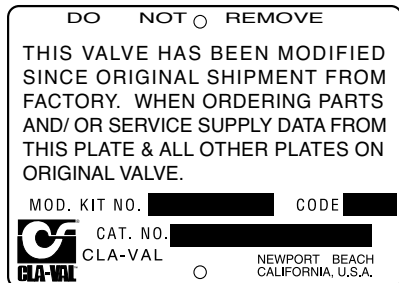
These two brass plates appear on threaded valves 1" through 3" size or flanged valves 1" through 2". It is located on only one side of the valve body.



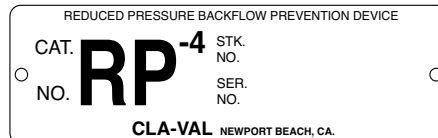
This tag is affixed to the cover of the pilot control valve. The adjustment range appears in the spring range section.



This brass plate is used to identify pilot control valves. The adjustment range is stamped into the plate.



This aluminum plate is included in pilot system modification kits and is to be wired to the new pilot control system after installation.



This brass plate is used on our backflow prevention assemblies. It is located on the side of the Number Two check (2" through 10"). The serial number of the assembly is also stamped on the top of the inlet flange of the Number One check.

HOW TO ORDER

Because of the vast number of possible configurations and combinations available, many valves and controls are not shown in published product and price lists. For ordering information, price and availability on product that are not listed, please contact your local Cla-Val office or our factory office located at:

P. O. Box 1325
Newport Beach, California 92659-0325
(949) 722-4800
FAX (949) 548-5441

SPECIFY WHEN ORDERING

- Model Number
- Globe or Angle Pattern
- Adjustment Range (As Applicable)
- Valve Size
- Threaded or Flanged
- Body and Trim Materials
- Optional Features
- Pressure Class

UNLESS OTHERWISE SPECIFIED

- Globe or angle pattern are the same price
- Ductile iron body and bronze trim are standard
- X46 Flow Clean Strainer or X43 "Y" Strainer are included
- CK2 Isolation Valves are included in price on 4" and larger valve sizes (6" and larger on 600 Series)

LIMITED WARRANTY

Automatic valves and controls as manufactured by Cla-Val are warranted for three years from date of shipment against manufacturing defects in material and workmanship that develop in the service for which they are designed, provided the products are installed and used in accordance with all applicable instructions and limitations issued by Cla-Val. Electronic components manufactured by Cla-Val are warranted for one year from the date of shipment.

We will repair or replace defective material, free of charge, that is returned to our factory, transportation charges prepaid, if upon inspection, the material is found to have been defective at time of original shipment. This warranty is expressly conditioned on the purchaser's providing written notification to Cla-Val immediate upon discovery of the defect.

Components used by Cla-Val but manufactured by others, are warranted only to the extent of that manufacturer's guarantee.

This warranty shall not apply if the product has been altered or repaired by others, Cla-Val shall make no allowance or credit for such repairs or alterations unless authorized in writing by Cla-Val.

DISCLAIMER OF WARRANTIES AND LIMITATIONS OF LIABILITY

The foregoing warranty is exclusive and in lieu of all other warranties and representations, whether expressed, implied, oral or written, including but not limited to any implied warranties or merchantability or fitness for a particular purpose. All such other warranties and representations are hereby cancelled.

Cla-Val shall not be liable for any incidental or consequential loss, damage or expense arising directly or indirectly from the use of the product. Cla-Val shall not be liable for any damages or charges for labor or expense in making repairs or adjustments to the product. Cla-Val shall not be liable for any damages or charges sustained in the adaptation or use of its engineering data and services. No representative of Cla-Val may change any of the foregoing or assume any additional liability or responsibility in connection with the product. The liability of Cla-Val is limited to material replacements F.O.B. Newport Beach, California.

TERMS OF SALE

ACCEPTANCE OF ORDERS

All orders are subject to acceptance by our main office at Newport Beach, California.

CREDIT TERMS

Credit terms are net thirty (30) days from date of invoice.

PURCHASE ORDER FORMS

Orders submitted on customer's own purchase order forms will be accepted only with the express understanding that no statements, clauses, or conditions contained in said order form will be binding on the Seller if they in any way modify the Seller's own terms and conditions of sales.

PRODUCT CHANGES

The right is reserved to make changes in pattern, design or materials when deemed necessary, without prior notice.

PRICES

All prices are F.O.B. Newport Beach, California unless expressly stated otherwise on our acknowledgement of the order. Prices are subject to change without notice. The prices at which any order is accepted are subject to adjustment to the Seller's price in effect at the time of shipment. Prices do not include sales, excise, municipal, state or any other Government taxes. Minimum order charge \$100.00.

RESPONSIBILITY

We will not be responsible for delays resulting from strikes, accidents, negligence of carriers, or other causes beyond our control. Also, we will not be liable for any unauthorized product alterations or charges accruing there from.

RISK

All goods are shipped at the risk of the purchaser after they have been delivered by to the carrier. Claims for error, shortages, etc., must be made upon receipt of goods.

EXPORT SHIPMENTS

Export shipments are subject to an additional charge for export packing.

RETURNED GOODS

1. Customers must obtain written approval from Cla-Val prior to returning any material.
2. Cla-Val reserves the right to refuse the return of any products.
3. Products more than six (6) months old cannot be returned for credit.
4. Specially produced, non-standard models cannot be returned for credit.
5. Rubber goods such as diaphragms, discs, o-rings, etc., cannot be returned for credit, unless as part of an unopened vacuum sealed repair kit which is less than six months old.
6. Goods authorized for return are subject to a 35% (\$100 minimum) restocking charge and a service charge for inspection, reconditioning, replacement of rubber parts, retesting, repainting and repackaging as required.
7. Authorized returned goods must be packaged and shipped prepaid to Cla-Val, 1701 Placentia Avenue, Costa Mesa, California 92627.



E-Product I.D. (R-3/2011)

CLA-VAL

PO Box 1325 Newport Beach CA 92659-0325
Phone: 949-722-4800 • Fax: 949-548-5441

CLA-VAL CANADA

4687 Christie Drive
Beamsville, Ontario
Canada L0R 1B4
Phone: 905-563-4963
Fax: 905-563-4040

CLA-VAL EUROPE

Chemin des Mesanges 1
CH-1032 Romanel/
Lausanne, Switzerland
Phone: 41-21-643-15-55
Fax: 41-21-643-15-50

©COPYRIGHT CLA-VAL 2011 Printed in USA
Specifications subject to change without notice.

www.cla-val.com

Represented By:



—MODEL— **REPAIR KITS**

Model 100-01 Hytrol Main Valve

BUNA-N MATERIAL				
	RUBBER KIT	REPAIR KIT	REBUILD KIT	STUD & NUT KIT
	STOCK NO.	STOCK NO.	STOCK NO.	STOCK NO.
3/8"	9169801K		21176614B	21176633J
1/2"	9169802H	21176602F	21176615A	21176634H
3/4"	9169802H	21176602F	21176615A	21176634H
1" Non-Guided	9169803F	21176601G	21176616K	21176636F
1"	9169804D	21176603E	21176617J	21176636F
1 1/4"	9169804D	21176603E	21176617J	21176636F
1 1/2"	9169804D	21176603E	21176617J	21176636F
2"	9169805A	21176608K	21176618H	21176637E
2 1/2"	9169811J	21176609J	21176619G	21176638D
3"	9169812G	21176604D	21176620D	21176639C
4"	9169813E	21176605C	21176621C	21176640K
6"	9169815K	21176606B	21176622B	21176641J
8"	9817901D	21176607A	21176623A	21176642H
10"	9817902B	21176610F	21176624K	21176643G
12"	9817903K	21176611E	21176625J	21176644F
14"	9817904H	21176612D	21176626H	21176645E
16"	9817905E	21176613C	21176627G	21176645E

Model 100-20 Hytrol Main Valve

BUNA-N MATERIAL				
	RUBBER KIT	REPAIR KIT	REBUILD KIT	STUD & NUT KIT
	STOCK NO.	STOCK NO.	STOCK NO.	STOCK NO.
3"	9169805A	21176608K	21176618H	21176637E
4"	9169812G	21176604D	21176620D	21176639C
6"	9169813E	21176605C	21176621C	21176640K
8"	9169815K	21176606B	21176622B	21176641J
10"	9817901D	21176607A	21176623A	21176642H
12"	9817902B	21176610F	21176624K	21176643G
14"	9817903K	21176611E	21176625J	21176644F
16"	9817903K	21176611E	21176625J	21176644F

Consult factory for larger sizes

Rubber Kit Includes: Diaphragm, Disc, Spacer Washers

Repair Kit Includes: Diaphragm, Disc, Spacer Washers, Epoxy Coated Disc Retainer, Epoxy Coated Diaphragm Washer, Protective Washer

Rebuild Kit Includes: Diaphragm, Disc, Spacer Washers, Epoxy Coated Disc Retainer, Epoxy Coated Diaphragm Washer, Protective Washer, Stainless Steel Bolts & Washers (6" & Below), Stainless Steel Studs, Nuts, & Washers (8" & Above), Stem, Stem Nut, Disc Guide

Stud & Nut Kit Includes: Stainless Steel Bolts & Washers (6" & Below), Stainless Steel Studs, Nuts, & Washers (8" & Above)

Repair Kits for 100-02/100-21 Powertrol and 100-03/100-22 Powercheck Main Valves

For: Powertrol and Powercheck Main Valves—150 Pressure Class Only

Includes: Diaphragm, Disc (or Disc Assembly) and O-rings and full set of spare Spacer Washers.

Valve Size	Kit Stock Number 100-02	Valve Size	Kit Stock Number	
			100-02 & 100-03	100-21 & 100-22
3/8"	9169901H	2 1/2"	9169910J	N/A
1/2" & 3/4"	9169902F	3"	9169911G	9169905J
1"	9169903D	4"	9169912E	9169911G
1 1/4" & 1 1/2"	9169904B	6"	9169913C	9169912E
2"	9169905J	8"	99116G	9169913C
		10"	9169939H	99116G
		12"	9169937B	9169939H

Larger Sizes: Consult Factory.

Repair Kits for 100-04/100-23 Hy-Check Main Valves

For: Hy-Check Main Valves—150 Pressure Class Only

Includes: Diaphragm, Disc and O-Rings and full set of spare Spacer Washers.

Valve Size	Kit Stock Number		Valve Size	Kit Stock Number	
	100-04	100-23		100-04	100-23
4"	20210901B	N/A	12"	20210905H	20210904J
6"	20210902A	20210901B	14"	20210906G	N/A
8"	20210903K	20210902A	16"	20210907F	20210905H
10"	20210904J	20210903K	20"	N/A	20210907F
			24"	N/A	20210907F

Larger Sizes: Consult Factory.

Repair Kits for Pilot Control Valves (In Standard Materials Only)

Includes: Diaphragm, Disc (or Disc Assembly), O-Rings, Gaskets or spare Screws as appropriate.

BUNA-N® (Standard Material)				VITON (For KB Controls)	
Pilot Control	Kit Stock Number	Pilot Control	Kit Stock Number	Pilot Control	Kit Stock Number
CDB	9170006C	CFM-9	12223E	CDB-KB	9170012A
CDB-30	9170023H	CRA (w/bucking spring)	9170001D	CRA-KB	N/A
CDB-31	9170024F	CRD (w/bucking spring)	9170002B	CRD-KB (w/bucking spring)	9170008J
CDB-7	9170017K	CRD (no bucking spring)	9170003K	CRL-KB	9170013J
CDH-2	18225D	CRD-18	20275401K	CDHS-2BKB	9170010E
CDHS-2	44607A	CRD-22	98923G	CDHS-2FKB	9170011C
CDHS-2B	9170004H	CRL (55F, 55L)	9170007A	CDHS-18KB (no bucking spring)	9170009G
CDHS-2F	9170005E	CRL60/55L-60	9170033G	102C-KB	1726202D
CDHS-3C-A2	24657K	CRL60/55L60 1"	9170042H		
CDHS-8A	2666901A	CRL-4A	43413E		
CDHS-18	9170003K	CRL-5 (55B)	65755B		
CDS-4	9170014G	CRL-5A (55G)	20666E		
CDS-5	14200A	CRL-18	20309801C		
CDS-6	20119301A	Universal CRL	9170041K		
CDS-6A	20349401C	CV	9170019F		
CFCM-M1	1222301C	X105L (O-ring)	00951E	Buna-N®	
CFM-2	12223E	102B-1	1502201F		
CFM-7	1263901K	102C-2	1726201F	CRD Disc Ret. (Solid)	C5256H
CFM-7A	1263901K	102C-3	1726201F	CRD Disc Ret. (Spring)	C5255K

Repair Assemblies (In Standard Materials Only)

Control	Description	Stock Number
CF1-C1	Pilot Assembly Only	89541H
CF1-CI	Complete Float Control less Ball and Rod	89016A
CFC2-C1	Disc, Distributor and Seals	2674701E
CSM 11-A2-2	Mechanical Parts Assembly	97544B
CSM 11-A2-2	Pilot Assembly Only	18053K
33A 1"	Complete Internal Assembly and Seal	2036030B
33A 2"	Complete Internal Assembly and Seal	2040830J

When ordering, please give complete nameplate data of the valve and/or control being repaired. MINIMUM ORDER CHARGE APPLIES

CLA-VAL

1701 Placentia Ave • Costa Mesa CA 92627 Phone: 949-722-4800 • Fax: 949-548-5441 • E-mail: info@cla-val.com • www.cla-val.com

© Copyright Cla-Val 2018 Printed in USA Specifications subject to change without notice.

N-RK (R-08/2018)