



Series 583

3 through 36-inches

“Tite Seal” Foot Valve



Meets the Federal
Mandate Limiting Lead
in Drinking Water

- Minimal Head Loss
- 360° Stainless Steel Strainer
- Buna-N® “Tite Seal” Zero Leakage Means No Loss of Prime
- Equal to Pipe Size

Cla-Val “Tite Seal” foot valves provide years of trouble free operation at low or high pressures. The special Buna-N® seal allows initial contact to the metal plug, for zero leakage, then as pressure builds, the Buna-N® seal is compressed only slightly until the plug fully contacts the metal seat preventing further compression of the Buna-N® seal. In this manner the seal cannot be damaged from compression and pump prime is always assured. A 360 degree stainless steel strainer is provided standard with three times flow-through area of the foot valve size. This larger flow-through area strainer means flow can be maintained even should some small particles collect against the strainer. Cla-Val “Tite Seal” Foot Valves provide non-shock and silent shut-off.

Cla-Val “Tite Seal” Foot Valve Specifications

The foot valve shall be globe style, flanged with resilient seal against metal; provide full flow equal to valve size and shut-off silently. Foot valve internals shall include a plug, double guided that allows full pipe flow when open. A guide bushing and all internals shall be field replaceable. The metal seat with Buna-N® seal shall provide zero leakage at low and high pressures without seal damage.

A heavy gauge 360 degree, stainless steel strainer (not plated steel) having a flow-thru area of at least three times that of the foot valve flow area shall be connected to the outside diameter of the inlet flange.

Pressure Ratings

- 125/150 (Rated to 250 psi)

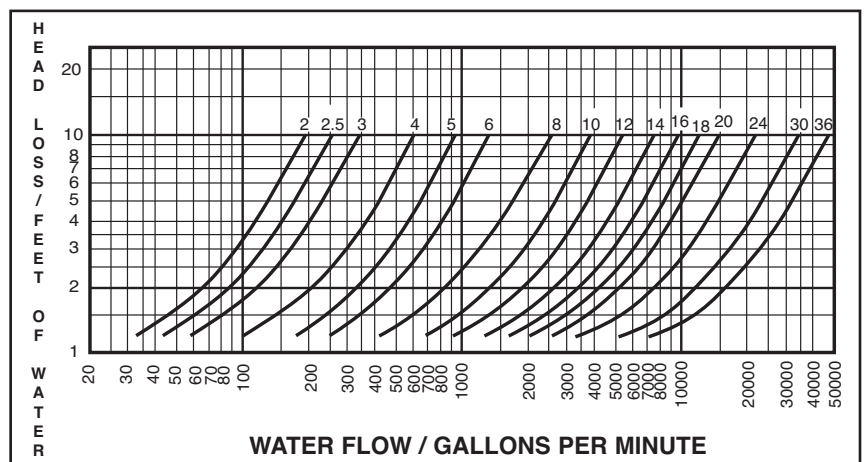
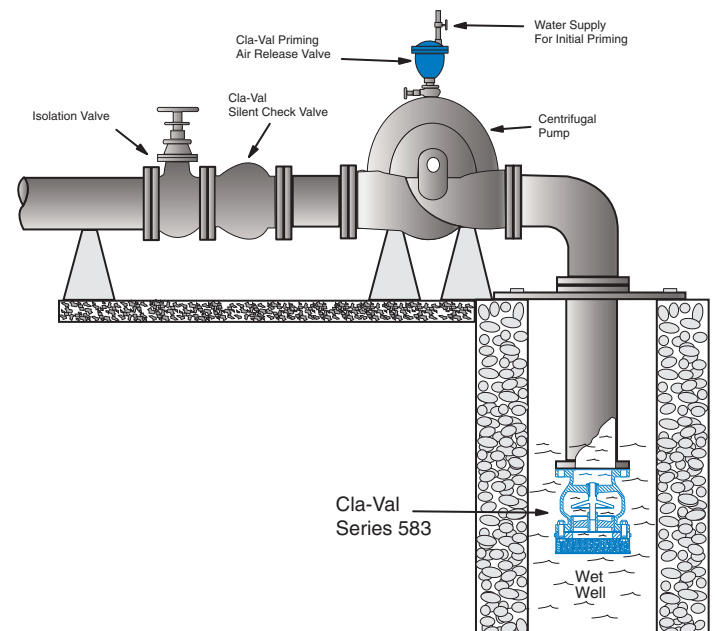
Materials:

Valve Body: Ductile Iron ASTM 586 GR 65-45-12
Seat and Plug: Bronze ASTM B584 Alloy C83600
Strainer Heavy Gauge 1/16": Thick Stainless Steel

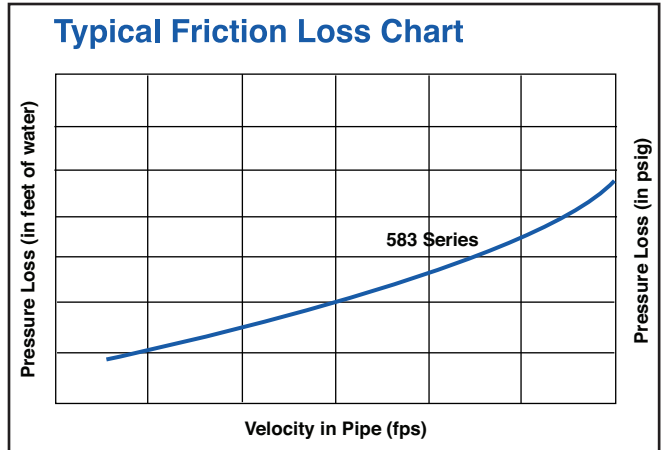
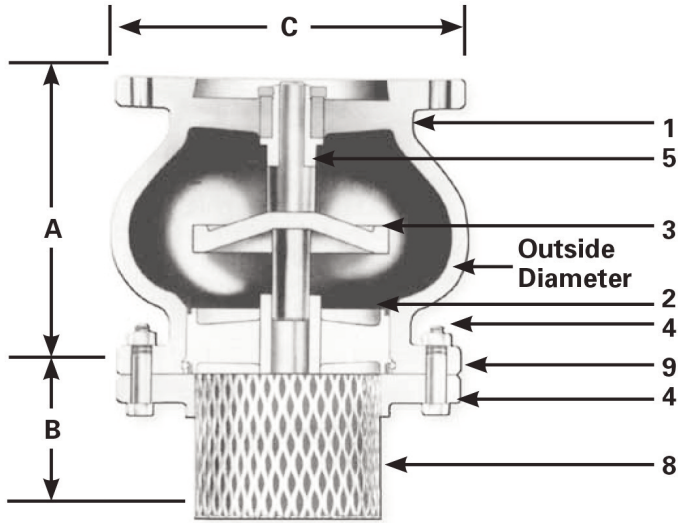
Meets Federal Mandate for Lead Content Limits

Test Certificate, Drawings, Parts List and O&M Manual Provided upon Request.

“Tite Seal” Foot Valves as provided by Cla-Val
 Newport Beach, CA U.S.A.



Series 583 "Tite Seal" Foot Valves



125 # Class					
Size	A	B	C	O.D.	WEIGHT
3"	6	4.875	7.5	5.625	38 lb
80 mm	152	124	191	143	17 kg
4"	7.25	4.875	9	7.375	51 lb
100 mm	184	124	229	187	23 kg
5"	8.5	5	10	9.25	72 lb
125 mm	216	127	254	235	33 kg
6"	9	5	11	10	95 lb
150 mm	229	127	279	254	43 kg
8"	10.125	5.125	13.5	13.125	146 lb
200 mm	257	130	343	333	66 kg
10"	12	5.125	16	16.75	218 lb
250 mm	305	130	406	425	99 kg
12"	14.375	5	19	20.125	335 lb
300 mm	365	127	483	511	152 kg
14"	15.75	5.375	21	22.375	450 lb
350 mm	400	137	533	568	204 kg
16"	17.625	5.375	23.5	25.375	570 lb
400 mm	448	137	597	645	259 kg
18"	18.75	5	25	27.75	700 lb
450 mm	476	127	635	705	318 kg
20"	20.625	5.5	27.5	31.125	845 lb
500 mm	524	140	699	791	383 kg
24"	24	7	32	37	1595 lb
600 mm	610	178	813	940	723 kg
30"	29.25	7	38.75	45.25	2020 lb
750 mm	743	178	984	1149	916 kg
36"	45	8	40	53.25	4185 lb
900 mm	1143	203	1016	1353	1898 kg

Item	Description	Material
1	Body	Ductile Iron ASTM 536 65-45-12
2	Seat	Bronze ASTM B584 with BUNA-N Seal
3	Plug	Bronze ASTM B584
4	Bolts & Nuts	Steel ASTM A307 GR. B
5	Bushing	Bronze ASTM B584
8	Strainer	Stainless Steel T302
9	Gasket	Lexida

