



Series 584

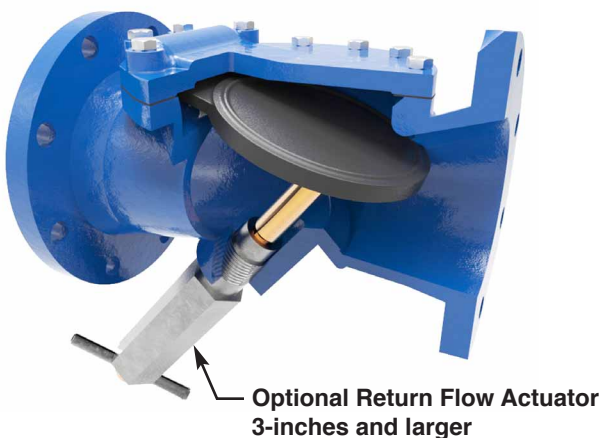
Flex-Check Valve



- Full Pipe Size Flow Area
- Drip Tight Seating
- Non-Slam Closure
- NSF/ANSI 61 Fusion Bonded Epoxy Coating
- Available with Integral Surge Protector, Position Indicator and Backflushing features
- Sizes 2 through 36 inches available
- Meets the Federal Mandate Limiting Lead in Drinking Water

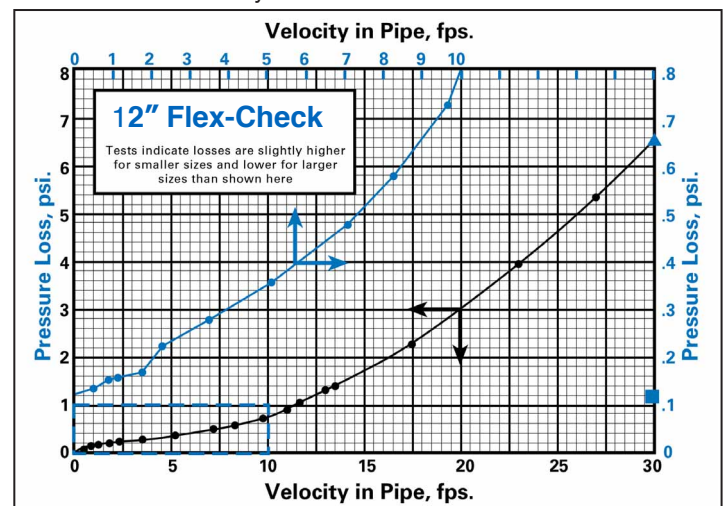
The Cla-Val Series 584 Flex-Check Valve has a full-flow area body with integral seat at 45° angle to reduce head loss. This minimizes disc travel to 35° degrees for improved non-slam check action and for reliable vertical up flow operation even on slurry applications. Body and Cover are NSF/ANSI 61 fusion bonded epoxy coated for long service life on potable and non-potable systems. Unique one-piece steel and nylon reinforced BUNA-N rubber flapper flexes to eliminate traditional metal hinge problems. During system flowing conditions the flapper flexes up to the open position allowing unrestricted flow through the valve. When system reverse flow conditions occur the flapper flexes down to the closed position for drop-tight seal preventing reverse flow. The flapper reliability is test-proven to over one million cycles. The optional Return Flow Actuator offers manual opening for pump priming, back flushing, draining lines, or system testing needs and is easy to field install.

Model 584BF Backflushing Flex-Check Valve - Sizes 3" - 36"



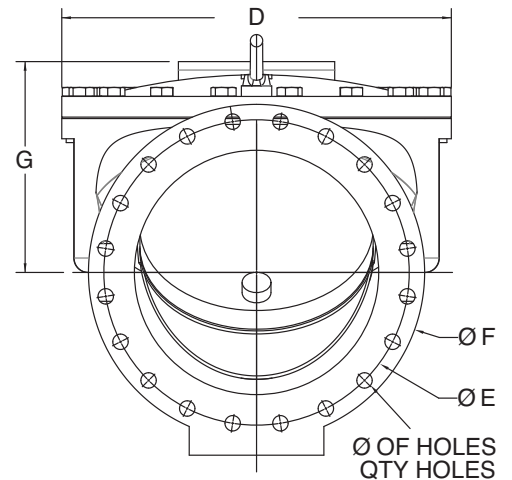
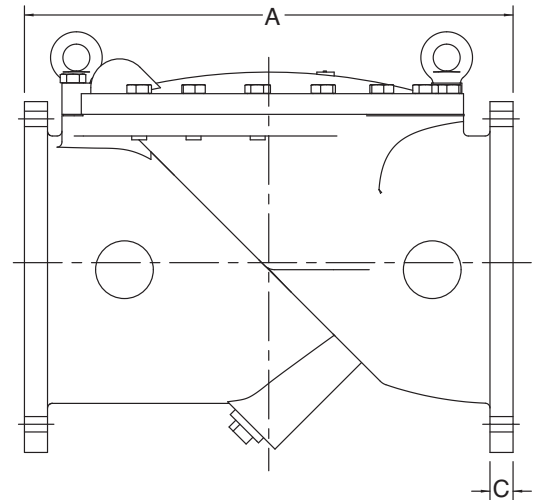
Typical Applications

- Water Systems
- Industrial Waste
- Erosive Services
- Acid Lines
- Light Slurries
- Leaching Lines
- Brine & Salt Water Systems
- Raw Sewage
- Chemical Lines
- Ash Service
- Tailings Systems
- Corrosive Services
- Scrubbers



Series 584 Flex-Check Valve Technical Data

Size (inches)	A	C	D	E	F	G	# of Bolts	Bolt Hole Size	Weight (lbs.)
2	8.00	0.69	5.18	4.75	6.00	3.38	4	0.625	19
2.5	8.50	0.75	5.18	5.50	7.00	3.38	4	0.625	20
3	9.50	0.81	7.50	6.00	7.50	5.13	4	0.625	21
4	11.50	0.75	8.25	7.50	9.00	5.75	8	0.625	38
6	14.00	0.75	11.13	9.50	11.00	6.88	8	0.75	100
8	19.50	0.88	16.00	11.75	13.50	8.38	8	0.75	185
10	24.50	1.18	21.00	14.25	16.00	10.75	12	0.88	335
12	27.50	1.25	24.00	17.00	19.00	12.50	12	0.88	475
14	31.00	1.38	23.25	18.75	21.00	13.00	12	1.00	640
16	36.00	1.43	25.25	21.25	23.50	14.25	16	1.00	950
18	40.00	1.56	28.25	22.75	25.00	15.25	16	1.12	1250
20	40.00	1.68	30.63	25.00	27.50	16.88	20	1.12	1550
24	48.00	1.88	36.00	29.50	32.00	19.25	20	1.25	2000
36	63.00	2.38	55.00	42.75	46.00	27.38	32	1.50	7000



Valve Materials of Construction

Valve Body & Cover: Ductile Iron - ASTM 536 65-45-12
Flapper Options: BUNA-N, Neoprene, Hypalon & Viton™
Lining Options: Natural Rubber, Neoprene & Hypalon *

* Operating Temperatures for Liner & Flapper Materials	
Material	°F
BUNA-N	- 70 to 250
Rubber	- 40 to 180
Neoprene	- 20 to 250
Hypalon	- 40 to 195
Viton™	- 40 to 450
Other Liner & Flapper materials available	

Standard Rubber Hardness Durometer of Flapper to be Determined by Operating Pressure		
Valve Size	Operating Pressure, PSI	
	10 to 80	81 to 175
2-inches to 8-inches	45 Durometer	70 Durometer
10-inches to 36-inches	70 Durometer	



E-584 Flex-Check Valve (R-07/2021)

CLA-VAL

1701 Placentia Avenue • Costa Mesa, CA 92627
 800-942-6326 • www.cla-val.com • info@cla-val.com

CLA-VAL CANADA
 4687 Christie Drive
 Beamsville, Ontario
 Canada L0R 1B4
 Phone: 905-563-4963
 Fax: 905-563-4040
 E-mail sales@cla-val.ca

CLA-VAL EUROPE
 Chemin des Mésanges 1
 CH-1032 Romanel/
 Lausanne, Switzerland
 Phone: 41-21-643-15-55
 E-mail: info@cla-val.ch

CLA-VAL UK
 Dainton House, Goods Station Road
 Tunbridge Wells
 Kent TN11 2 DH England
 Phone: 44-1892-514-400
 E-mail: info@cla-val.co.uk

CLA-VAL FRANCE
 Porte du Grand Lyon 1
 ZAC du Champ du Périer
 France - 01700 Neyron
 Phone: 33-4-72-25-92-93
 E-mail: info@cla-val.ch

©COPYRIGHT CLA-VAL 2021 Printed in USA Specifications subject to change without notice.